



紫浩科技

ZIHAOKEJI

河北紫浩复合材料科技有限公司

HEBEI ZIHAO FRP CO., LTD



河北紫浩复合材料科技有限公司

HEBEI ZIHAO FRP CO., LTD
专 / 业 / 制 / 造 品 / 质 / 超 / 群

Hebei Zihao FRP Co., Ltd. is located in Jizhou District, Hengshui City, Hebei Province. The team has been engaged in the R&D of new material technologies and high-performance glass fiber reinforced plastic (FRP) series products for many years. The company is a high-tech enterprise integrating the design and R&D of composite plastic and rubber products, processing and manufacturing, engineering installation, processing, manufacturing and sales of metal steel structures, import and export of goods, as well as maintenance and after-sales services.

The company's main products include a series of storage tanks with an inner diameter of less than 25 meters and a series of pipes with an inner diameter of less than 15 meters. It can meet the domestic and export demands for FRP products, PVC/FRP (polyvinyl chloride composite FRP) products, PP/FRP (polypropylene composite FRP) products, PTFE (polytetrafluoroethylene) products, and PVDF (polyvinylidene fluoride) products that comply with national standards, American standards (ASME), German standards (DIN), and Japanese standards (JIS). It supplies FRP storage tanks, tower vessels, tower internals, special-shaped parts, pipes, pipe fittings, gratings, chimneys, flues, polymer cable trays, pultruded profiles and other composite products all year round. The products consist of a corrosion-resistant inner lining with high resin content, a fiber winding reinforcement layer, and an outer surface anti-ultraviolet and anti-aging layer. Through the reasonable proportioning of resin and fibers, the containers can be wrapped around the head with multiple layers, angles and cutting points. The overall inflatable winding process can meet the needs of users for storing and transporting various organic and inorganic media. The low-temperature resistance of the products is generally minus 50 degrees Celsius, the high-temperature desulfurization tower chimneys and flues can withstand temperatures below 220 degrees Celsius, the maximum pressure resistance of container products is 8Mpa, and that of pipe products is below 16Mpa. Through scientific design and manufacturing, the products have the advantages of pressure resistance, corrosion resistance, aging resistance and insulation.

The company has established an integrated management system of quality, environment and safety. The products can be widely used in fields such as electronic semiconductors, ternary lithium batteries, lithium iron phosphate batteries, printing and dyeing, papermaking, chemical fiber, pesticides and fertilizers, biochemical starch, organosilicon and polysilicon, petrochemicals, pharmaceutical intermediates, iron and steel metallurgy (cold-rolled steel), food brewing and fermentation, chlor-alkali and caustic soda, plasma membrane caustic soda, environmental water treatment, power plant desulfurization and denitrification, brine and seawater desalination, landscaping, and park scenic spot decoration. The company strictly implements the ISO9001 quality management system. You just use the products, and we will take care of the rest. We adhere to the principle of honesty and credit first, and take high-quality product quality and perfect 24-hour after-sales service as our tenet. We welcome friends from all walks of life to visit and guide us.

河北
紫浩复合材料科技有限公司

携手并进 互惠互利 坦诚合作 志在信誉 开拓创新 质在精细 追求卓越 创新发展



Introduction 公司简介

以信为本 以质取胜
Take the letter as the Quality

河北紫浩复合材料科技有限公司位于河北省衡水市冀州区。大禹治水后将天下分为九州，即：冀州、衮州、青州、雍州、豫州、徐州、梁州、荆州、扬州，后来河北省取简称时，取冀州的“冀”字。冀是希望的意思，冀州之意“希望之州”也是九州之首。冀州位于国家级自然保护区五A级景区衡水湖南岸，历史文化底蕴深厚，又处于京津冀一小时经济圈，地理位置优越交通便利，考察发货方便。团队从事研发科研新材料技术、高性能玻璃纤维增强塑料系列产品多年，公司包括复合材料塑料橡胶制品设计研发、加工制造、工程安装、金属钢结构加工制造销售、货物进出口及维修售后服务为一体的高新技术企业。

公司主营产品内径25米以下的系列储罐和内径15米以下的系列管道。可满足国内和出口具有国标、美标 (ASME)、德标 (DIN)、日标 (JIS) 系列的玻璃钢 (FRP) 制品，聚氯乙烯复合玻璃钢 (PVC/FRP) 制品，聚丙烯复合玻璃钢 (PP/FRP) 制品、聚四氟乙烯 (PTFE) 制品，聚偏二氟乙烯 (PVDF) 制品。常年供应玻璃钢储罐、塔器、塔内件、异形件、管道、管配件，格栅、烟囱、烟道、高分子桥架、拉挤型材等各种复合材料制品。产品以高树脂含量的耐腐蚀内衬层，纤维缠绕加强层及外表面防紫外线抗老化层组成，通过对树脂纤维的合理配比，容器可多层次多角度多切点包封头，整体充气式缠绕工艺可满足用户储存和输送各种有机、无机介质。产品耐低温工作温度一般在零下50度，高温脱硫塔烟囱烟道类在220度以下，容器类产品耐压力最高8Mpa，管道类产品最高16Mpa以下，通过对产品的科学设计制造，使其具有耐压，耐腐蚀，抗老化，绝缘等优点。

公司构建质量、环境、安全一体化管理体系。产品可广泛用于电子半导体、三元锂电池、磷酸铁锂电池、印染造纸、化纤纤维、农药化肥、生物化工淀粉、有机硅多晶硅、石油化工、制药中间体、钢铁冶金冷扎钢、食品酿造发酵、氯碱烧碱、等离子膜烧碱、环保水处理、电厂脱硫脱硝、盐水海水淡化、园林绿化，公园景点装饰等领域。

公司严格执行ISO9001质量管理体系，您只管用，剩下的我们来解决。我们以诚信为本信誉至上，以优质的产品质量和完善的24小时售后服务为宗旨，欢迎社会各界朋友参观指导。





河北紫浩复合材料科技有限公司

HEBEI ZIHAO FRP CO.,LTD





车间一线 Workshop frontline

河北紫浩复合材料科技有限公司

HEBEI ZIHAO FRP CO., LTD

专 / 业 / 制 / 造 品 / 质 / 超 / 群

玻璃钢酸洗设备 FRP pickling equipment	1
玻璃钢立式储罐 FRP vertical tank	4
玻璃钢卧式储罐 FRP horizontal tank	7
大型玻璃钢储罐 FRP large storage tank	10
玻璃钢塔器 FRP tower	12
玻璃钢管道 FRP pipe	14
平端对接管 Flat end to take over	15
承插连接管 Socket connection pipe	16
玻璃钢喷淋管 FRP pipe	17
玻璃钢烟囱 Glass steel chimney	17
玻璃钢烟道 Glass steel flue	17
玻璃钢法兰 FRP flange	18
玻璃钢三通 FRP tee	19
玻璃钢变径 FRP variable diameter	20
玻璃钢弯头 FRP elbow	21
玻璃钢电缆桥架 FRP cable tray	22
玻璃钢拉挤型材 FRP pull extrusion profile	23
玻璃钢格栅 FRP a grille	24
复合材料 FRP-PVC、PP、PVDF Composite materials FRP-PVC, PP, PVDF	25
玻璃钢风机 FRP fan	26
玻璃钢冷却塔、玻璃钢地面碳钢防腐 FRP cooling tower FRP ground, carbon steel	27
玻璃钢环保设备 Glass steel environmental protection equipment	28
泡罩塔 Bubble Cap Tower	29
一体式玻璃钢泵站 Integrated fiberglass pump station	30
工程案例 Project case	33
检测设备 detection device	37

玻璃钢酸洗设备

FRP pickling equipment

根据不同的酸洗介质，酸洗废水中可能含有下列，即盐酸、硝酸、硫酸、磷酸、氢氟酸、柠檬酸、氨基磺酸、乙二胺四乙酸、甲酸与经基乙酸、表面活性剂、铜络合剂、缓蚀剂以及被清洗下来的金属氧化物、各种沉积在锅炉受热面上的水(盐)垢等，玻璃钢酸洗设备废水处理应包括中和酸性、去除重金属离子、去除氟离子、降低化学耗氧量(COD)、去除悬浮物或沉淀物等几部分。

According to the different acid medium, acid pickling wastewater may contain the following groups of several groups, namely hydrochloric acid, nitric acid, sulfuric acid, phosphoric acid, hydrofluoric acid, citric acid, amino sulfonic acid, EDTA, formic acid and the amino acetic acid, surface active agent, copper complexing agent, corrosion inhibitor and washed down metal oxide, various depositional in boiler heating surface water (salt) scale, glass steel pickling waste water equipment processing should include acidic and removal of heavy metal ions, fluoride removal, reduction of chemical oxygen oxygen demand (COD), removal of suspended solids and sediments such as a few parts.

1、盐酸、硝酸、硫酸废水 hydrochloric acid, nitric acid, sulfuric acid wastewater

当使用盐酸、硝酸或硫酸作酸洗介质时，其废液可在废水池直接用液体工业氢氧化钠中和处理到pH值6~9，其反应生成物氯化钠、硝酸钠或硫酸钠为无害盐类，可直接排放。

When using hydrochloric acid, nitric acid or sulfuric acid for acid pickling medium, the waste water can be directly used in the waste water tank and treated with pH 9 ~ 6, which can be directly discharged from the production of sodium chloride, sodium nitrate or sodium sulfate.

酸洗工序完成后，酸洗废水中残留酸还有2%~4%。燃煤发电厂也可将酸洗废水直接排到锅炉冲灰池，利用这些残余酸清洗冲灰管道，与沉积在灰管上的碳酸钙等反应进一步消耗掉残余酸，有机缓蚀剂和溶解到酸洗废水中的酸洗杂质、重金属离子同时也会被煤灰吸附固定在灰场。如果灰场灰水中还残留有酸度，再通过加碱调整灰水pH值到6~9范围即可。

After the acid pickling process is finished, there are still 2% ~ 4% of the residual acid in the acid pickling waste water. Coal fired power plants can also be directly discharged into the boiler ash basin, the use of these residual acid cleaning flushing pipe, and the deposition of calcium carbonate and other reaction further consumption of residual acid, organic corrosion inhibitors and dissolved into the acid pickling waste water, heavy metal ions, but also by coal ash adsorption. If the ash in the ash field is still in the acidity, the pH value of the gray water is 6 ~ 9.

2、磷酸废液 phosphoric acid waste liquid

当使用磷酸作酸洗介质时，其废液可加入过量消石灰或石灰乳中和处理，其反应生成磷酸钙沉淀，降低废水中磷酸根的含量。收集沉淀物经过浓缩脱水，挤压成块，将其在安全地方掩埋。

When phosphoric acid is used as the medium, the waste liquid can be added to an excessive amount of lime or lime milk neutralization process, and the reaction can produce calcium phosphate precipitation and reduce the content of phosphate in the wastewater. Collect the sediment after the enrichment and dehydration, extrusion into a block, it will be buried in a safe place.

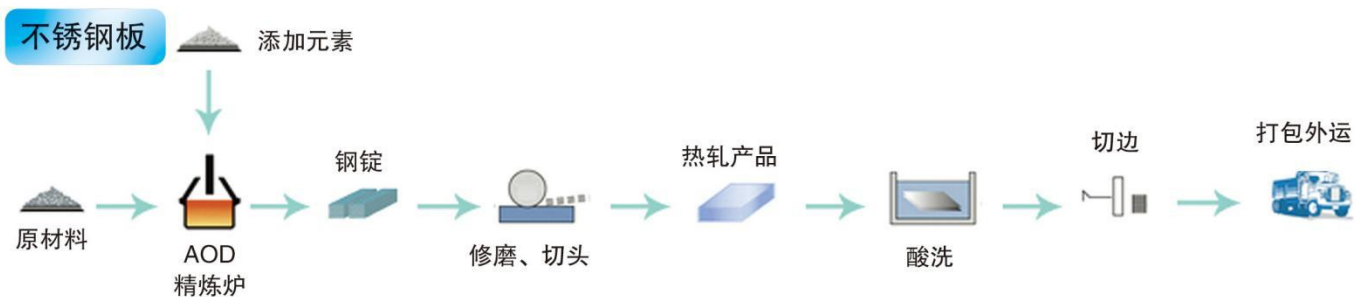
3.氢氟酸废液 hydrofluoric acid wastewater

氢氟酸清洗废液的主要问题是溶液中的氟离子含量过高，必须进行处理。处理方法根据所用药剂不同分为石灰法、石灰—铝盐法及石灰—磷酸盐法等。其中采用混凝沉淀法配合进行处理比较普遍。

The main problem of hydrofluoric acid cleaning wastewater is fluoride content in solution is too high, must be treated. Treatment method according to the different uses of the drug is divided into lime, lime, an aluminum salt method and lime, a phosphate method, etc.. Which uses coagulation sedimentation method to deal with more general.

工艺流程图

process flow diagram



漂洗罐 Rinsing tank



漂洗罐 Rinsing tank



酸槽 acid tank



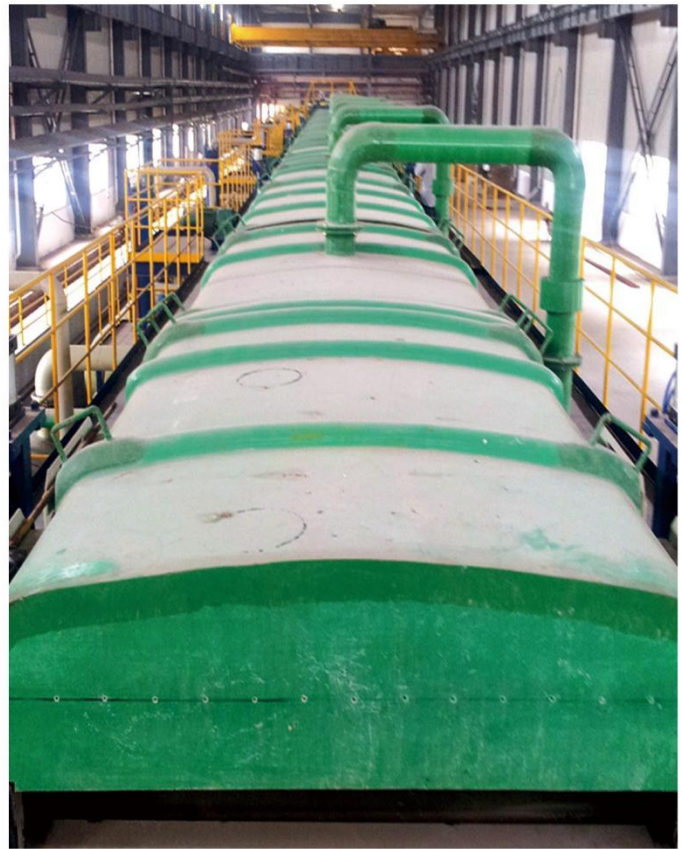
盐酸洗涤槽 Hydrochloric acid washing tank

玻璃钢酸洗设备

FRP pickling equipment



硫酸洗涤罐 Sulfuric acid washing tank



酸洗车间盖板 Acid pickling shop floor



再生酸罐 Regenerated acid tank

玻璃钢立式储罐

FRP vertical tank

河北紫浩复合材料科技有限公司

HEBEI ZIHAO FRP CO., LTD

专 / 业 / 制 / 造 品 / 质 / 超 / 群

我公司经过多年的生产经营，我厂已具有生产DN12000mm以下，最大容积达2000m³的系列贮罐，产品种类有玻酸碱储罐、大型玻璃钢罐以及各种类型的油罐、沉淀罐、母液罐、中和罐、计量罐等。

My company after years of production and management, our factory has the production DN12000mm, the maximum volume of 2000m³ series storage tank, the kinds of products have glassy acid storage tanks, large glass steel tank and various types of tank, precipitation tank, mother liquid tank, Naka Kazu, metering tank etc..



超纯水罐 Ultra pure water



夹套罐 Jacket tank



硫酸槽 Sulfuric acid tank



压力罐 elevated tank

玻璃钢立式储罐

FRP vertical tank



食品酿造罐 Food brewing tank



盐酸储罐 Hydrochloric acid tank

立式平底容器

DOME VERTICAL VESSEL Note:F=1/4D

L \ D M³	400	600	800	1000	1200	1400	1500	1600	1800	2000	2200
0.1	850	430									
0.2	1650	780	490								
0.5		1840	1090	740							
1			2080	1380							
2				2650	1890	1440					
3					2780	2090	1850				
4					3660	2740	2410	2150			
5						3390	2980	2650			
6							3550	3410			
7								3640	2930		
8								4140	3320		
9								4630	3710	3060	
10								5130	4100	3370	
11								5630	4500	3690	3100
12									4890	4010	3370
15									6070	4970	4150
18									7250	5920	4940
20									8030	6560	5470
25										8150	6790
30											8100

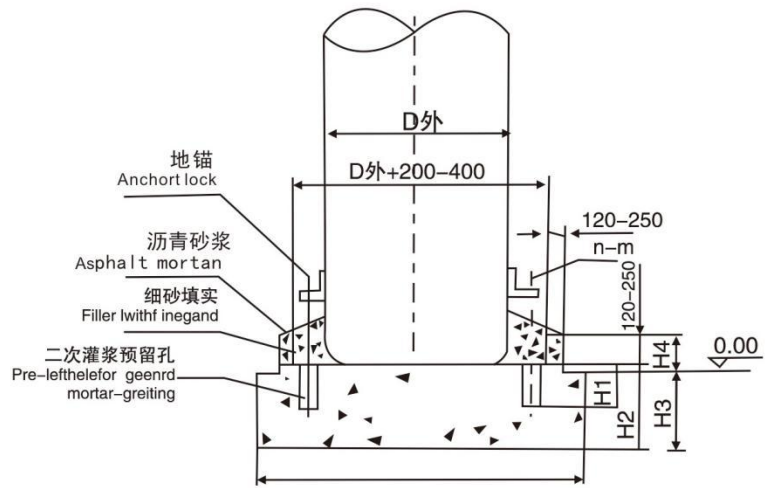
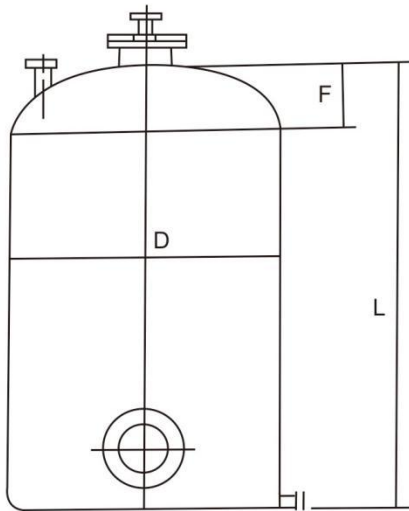
玻璃钢立式储罐

FRP vertical tank

河北紫浩复合材料科技有限公司

HEBEI ZIHAO FRP CO., LTD

专 / 业 / 制 / 造 品 / 质 / 超 / 群



立式平底容器

DOME VERTICAL VESSEL Note:F=1/4D

L \ D M ³	2400	2500	2600	2800	3000	3200	3400	3500	3600	3800	4000
30	6860	6340	5890	5130	4520	4030	3620				
35	7960	7360	6830	5940	5220	4650	4170	3960	3770		
40	9070	8380	7780	6750	5920	5260	4720	4480	4260	3880	
45		9400	8720	7570	6640	5900	5270	5000	4790	4320	
50			9660	8380	7350	6520	5830	5520	5250	4760	4350
55				9190	8050	7140	6380	6040	5740	5200	4750
60				10000	8760	7760	6930	6560	6230	5640	5140
65					9460	8380	7480	7080	6720	6080	5540
70						9010	8030	7600	7210	6520	5940
75						9630	8580	8120	7700	6960	6340
80						10250	9130	8640	8190	7410	6730
85							9680	9160	8690	7850	7130
90							10230	9680	9180	8280	7530
95								10200	9670	8730	7930
100									10160	9170	8330
110										10050	9120
120											9920
130											10710
140											11510
150											12310

玻璃钢卧式储罐

FRP horizontal tank

采用E-galss高张力、多层次、多角度、多切点、包封头、整体充气袋式缠绕法，满足易燃介质及环境阻烯的需要，满足有机、无机溶剂及具有化学、电化学腐蚀性介质的储存、中转和生产需要，满足非电解质流体的中转、输送、消除静电的需要，满足抗各式支承剪切及掩埋与荷载的力学要求。

The E-galss high tension, multi-level, multi angle, multi point of tangency, packet head, overall inflation bag winding method, meet the needs of flammable media and environment resistance of graphene. Meet the needs of organic, inorganic solvent and chemical, electrochemical corrosive medium storage, transshipment and production, meet the needs of the non electrolyte fluid transfer, transport, eliminating the need to meet resistance to all kinds of supporting shear and buried and load mechanical requirements.



地埋玻璃钢罐 Buried fiberglass tank



卧式压力罐 Horizontal pressure tank



卧式酸碱罐 Horizontal acid-base tank



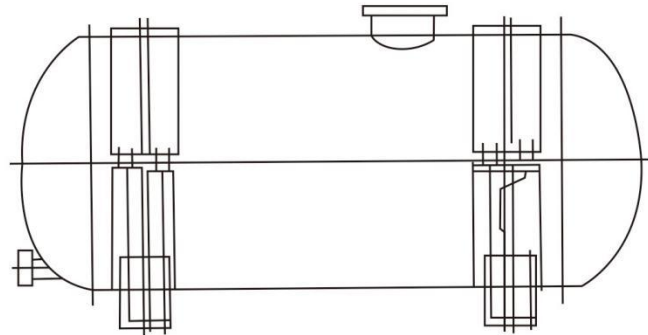
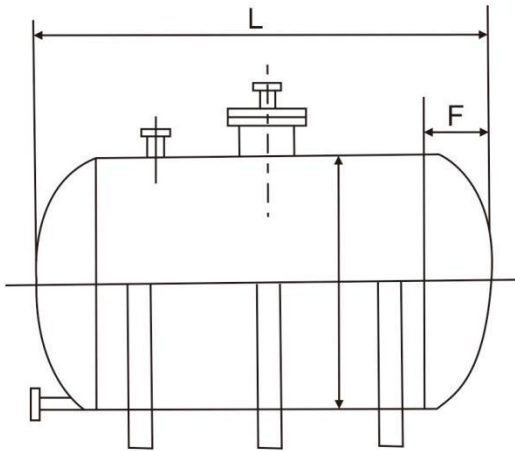
运输罐 Transport tank

玻璃钢卧式储罐

FRP horizontal tank

河北紫浩复合材料科技有限公司

HEBEI ZIHAO FRP CO., LTD
专 / 业 / 制 / 造 品 / 质 / 超 / 群



注: $F=1/4D$

容器、A4级压力容器及运输罐 (2)

vessel, A4-grade pressure vessel and transportation tank. (2)

D	2000			2200			2400			2600			2800			3000			
M	L	N ₁	N ₂	L	N ₁	N ₂	L	N ₁	N ₂	L	N ₁	N ₂	L	N ₁	N ₂	L	N ₁	N ₂	
9																			
10	3540	2	4																
11	3850	2	4																
12	4170	2	4	3540	2	4													
15	5130	3	4	4330	2	4	3750	2	4										
18	6080	3	4	5120	2	4	4410	2	4										
20	6720	3	4	5650	3	4	4850	2	4	4220	2	4	3740	2	4				4
25	8310	4	4	6960	3	4	5960	2	4	5160	2	4	4560	2	4	4060	2	4	
30				8280	4	4	7060	3	4	6100	3	4	5370	2	4	4770	2		
35							8170	3	4	7050	3	4	6180	2	4	5480	2		
40							9270	4	4	7990	3	4	6990	3	4	6200	3		
50										9870	3	4	8620	3	4	7600	3		
60													10240	3	4	9010	3		
70																10430	3		
80																11850	3		

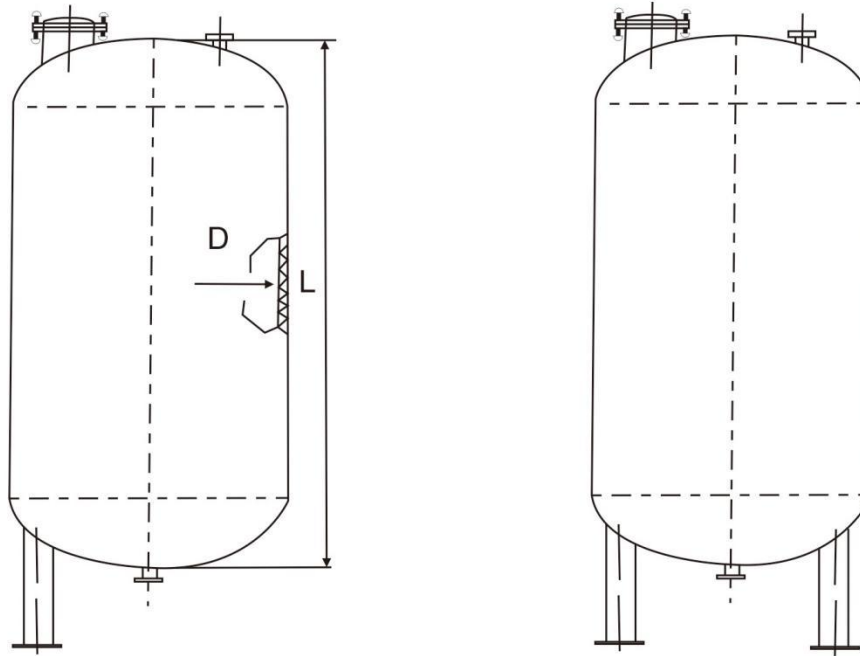
N1为卧式容器支座数, N2为立式容器支腿数, 容积、管口塔件及支座数可任意设计。

Notes: N1 is the quantity of the horizon vessel support; N2 is the amount of the vertical vessel legs.

The capacity, nozzles and support' s quantity can be designed according client' s demands.

立圆底储罐

FRP vertical round-bottom tank



容器、A4级压力容器及运输罐 (1)

vessel, A4-grade pressure vessel and transportation tank. (1)

D	1000			1200			1400			1600			1800		
	L	N ₁	N ₂	L	N ₁	N ₂	L	N ₁	N ₂	L	N ₁	N ₂	L	N ₁	N ₂
1	1450	2	3												
2	2730	3	3	1990	2	3	1560	2	3						
3	4010	4	3	2870	2	3	2200	2	4						
4				3760	3	4	2850	3	4	2300	2	4			
5							3500	3	4	2800	2	4			
6										3300	2	4			
7										3800	2	4			
8										4300	3	4	3470	2	4
9										4780	3	4	3860	2	4
10										5300	3	4	4250	2	4
11										5800	3	4	4640	3	4
12										6280	4	4	5040	3	4
15													6220	3	4
18													7400	3	4
20													8190	4	4

N1为卧式容器支座数，N2为立式容器支腿数，容积、管口塔件及支座数可任意设计。

Notes: N1 is the quantity of the horizon vessel support: N2 is the amount of the vertical vessel legs.

The capacity, nozzles and support's quantity can be designed according client's demands.

大型玻璃钢储罐

FRP large storage tank

河北紫浩复合材料科技有限公司

HEBEI ZIHAO FRP CO., LTD

专 / 业 / 制 / 造 品 / 质 / 超 / 群

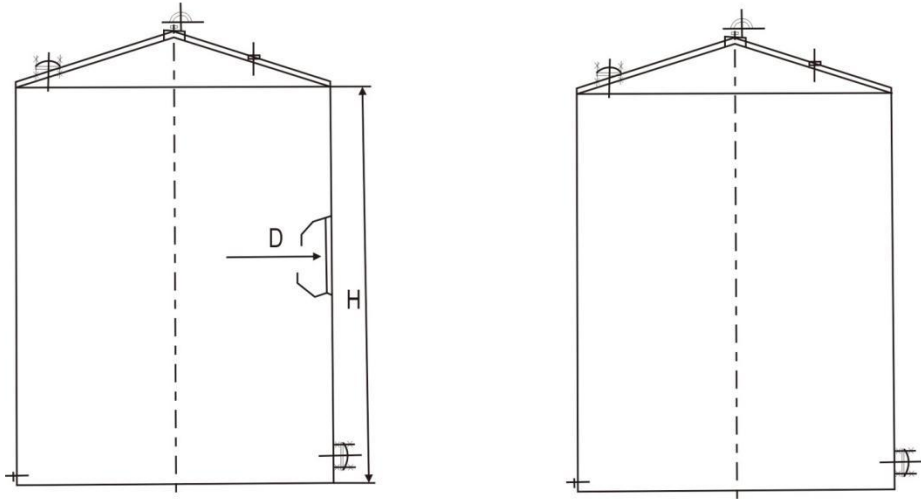
玻璃钢大型储罐是由现场缠绕设备，采用最新工艺缠绕成型的大型贮罐及各类容器。该产品具有轻质、高强、耐腐蚀、无需运输等优点。大型容器在使用现场制作安装,无运输之忧,业主还能监控工期和质量。

Large storage tank is wound by glass steel equipment field, large tanks and other containers using the new winding process. The product has the advantages of light weight, high strength, corrosion resistance, no need to transport, etc.. Large containers in the use of the production and installation, no transport, the owners can monitor the construction period and quality.



大型玻璃钢储罐

FRP large storage tank



H \ D	150	200	300	400	500	600	700	800	900	1000	1200	1400	1600	1800	2000	2200	2400	2500	3000	
5000	7650	10220																		
6000		7100	10640	14180																
7000			7830	10420	13020															
8000			6310	7980	9970	11960														
9000				6310	7880	9460	11030	12600												
10000							8940	10220	11490	12760	15310									
11000									9500	10550	12650	14760								
12000											10670	12410	14180	15950						
13000											9070	10570	12080	13590	15090					
14000													10420	11720	13020	14320				
15000														9080	10220	11350	12480	13610	14180	

H \ D	2600	2800	3000	3200	3400	3600	3800	4000	4200	4400	4600	4800	5000
16000	12950	13950	14950										
17000	11500	12360	13250	14120	15000								
18000	10250	11030	11820	12600	13400	14180	14960						
19000	9200	9900	10620	11320	12020	12720	13420	14150	14850				
20000		8950	9580	10220	10850	11480	12120	12760	13400	14020	14660		
21000					9850	10420	11000	11580	12150	12720	13300	13880	14460
22000						9500	10020	10550	11080	11600	12120	12650	13180
23000							9160	9650	10120	10620	11100	11580	12050
24000									9300	9750	10190	10630	11080
25000										8980	9390	9800	10200

玻璃钢塔器

FRP tower

河北紫浩复合材料科技有限公司

HEBEI ZIHAO FRP CO., LTD

专 / 业 / 制 / 造 品 / 质 / 超 / 群



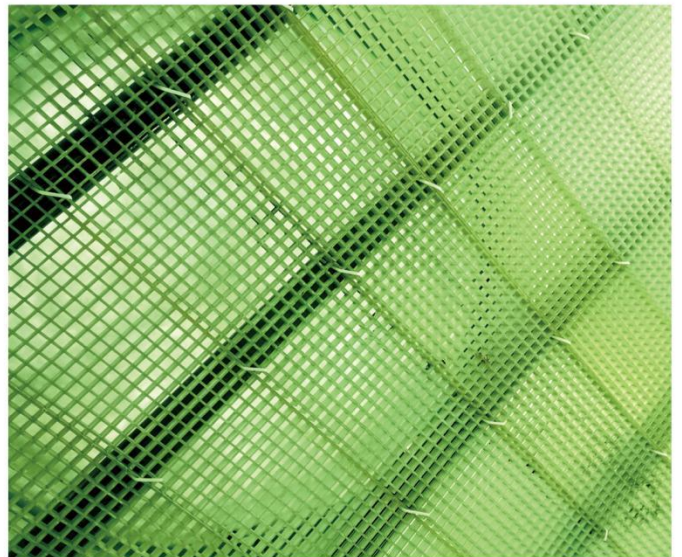
PP过滤网 PP filter



分离器 separator



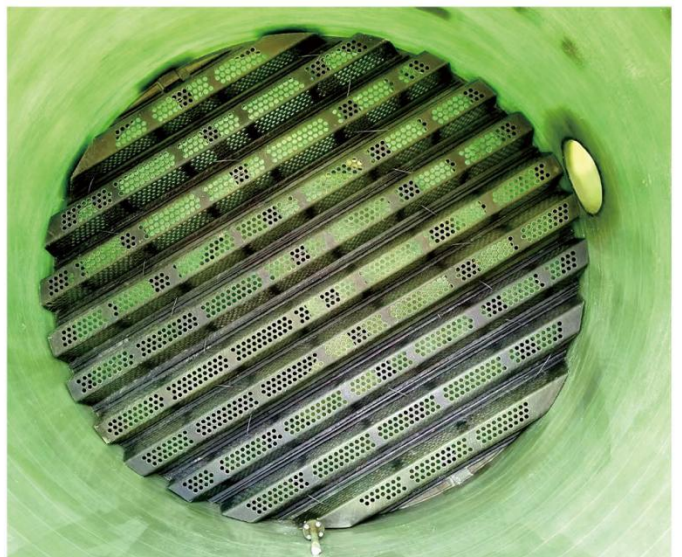
净化喷淋塔 spray tower



格栅压板 Grid plate



塔内件 column internals



驼峰支撑 Hump support

玻璃钢塔器

FRP tower



净化塔
purification tower



FRP碱洗循环脱硫塔
FRP alkali washing circulating desulfurization tower



吸收塔
Absorption tower

各种用途的玻璃钢塔器和异型设备 widely used FRP and special equipment

名称 name	形状 shape	用途 application	已完成最大值 max	备注 remarks.
发酵罐 fermentation vessel	柱型 (圆底、平底) cylinder (round of flat bottom)	食品发酵 food fermentation	Φ4000 × 14.800	带保温夹套、加热装置、风搅拌或机械搅拌 with insulating layer, heating device, wind stirrer or mechanical stirrer.
氯气干燥塔 chlorine drying tower	柱型 (平底) cylinder (flat bottom)	用H ₂ SO ₄ 脱去氯气中的水分 dehydrate chlorine with H ₂ SO ₄	Φ3000 × 16000	聚氯乙烯/玻璃钢 PVC/FRP
尾气吸收塔 尾气洗涤塔 tail gas scrubber	柱型 (圆底、平底) cylinder (round of flat bottom)	用HCl尾气、氨尾气 ClO ₂ Cl ₂ 等的吸收, 洗涤 Absorb and washing the exhaust	Φ5000 × 51000	
反应釜 (罐) reaction column (vessel)	柱型 (锥底、圆底、平底) cylinder (round, conical or flat bottom)	物化反应 physical and chemical reaction	Φ16000 × 15000	配带搅拌装置 with stirring device
塔、槽 trough	矩形、柱形 rectangle, cylinder	洗涤、氧化、贮存等 scrubbing, oxidation, store, etc..	Φ16000 × 15000	可制成各种颜色 in various colour
大型槽盖 maxi trough cover	锥形 conic		Φ25000	
分离器 separator	柱形 (圆底、锥底) cylinder (round or conical bottom)	使混合组分分离 separate components of mixture	Φ52000	
离子交换器 Ion-exchange	柱形 (圆底、锥底) cylinder (round or conical bottom)	水处理 water treatment	Φ3600	

玻璃钢管道

FRP pipe

河北紫浩复合材料科技有限公司

HEBEI ZIHAO FRP CO., LTD

专 / 业 / 制 / 造 品 / 质 / 超 / 群



玻璃钢管道其特点表现在 $n \leq 0.0084$ ——由于内壁光滑，其流体输送压头损失小，因此，同一种流量可以选用较小管径或较小功率的输送泵——用于长距离输送，大口径管道还可以降低安装费，缩减保温费，取消防腐费、免除大修费，在冰冻介质下，管道不会被冻裂，耐蚀：在纵横交错、网罗棋布环境下，可根据介质的要求选择不同的耐腐蚀管道，耐压：按工艺要求的压力，设计，制造管道和管件。

Glass steel pipeline in its performance characteristics for $n < 0.0084$, because the inner wall smooth, fluid conveying pressure head loss is small. Therefore, with a flow can selection of a tubular diameter or smaller power pump -- for long distance transportation, large diameter pipeline can also reduce installation costs, reduced fees insulation and anticorrosion fee abolished, eliminating overhaul costs, in frozen medium and pipeline can not frost crack, corrosion: in the criss cross, Luo Gang Jibu environment, according to the medium choose different resistance to corrosion of pipeline, pressure: according to the requirements of the process pressure, design, manufacture pipe and fittings.

以工艺要求的1.5倍数压力进行充压试验——耐热：耐低温为负 70°C ，耐高温为 250°C ，绝缘性能好与改良后可消除静电；易燃性好与改良后可自熄、阻燃、拒燃；透明性能好与改良后可呈五颜六色；保温性能与改良后可提高热传导能力。无毒：可用于饮用水的输送。

In the process of 1.5 times the pressure of the pressure test – thermal resistance: low temperature resistance 70, high temperature resistance of 250, good insulation and improved can eliminate static electricity; flammable and improved after the self extinguishing, flame retardant, flame retardant, transparent performance and improvement can be six color five color; insulation performance and improved heat conduction ability. Non-toxic: can be used for drinking water delivery.



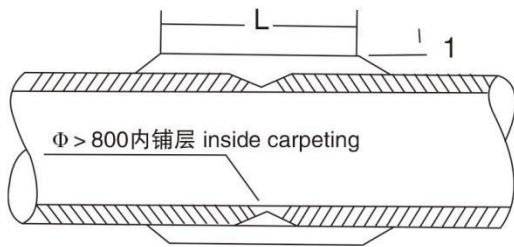
玻璃钢管道 FRP pipe



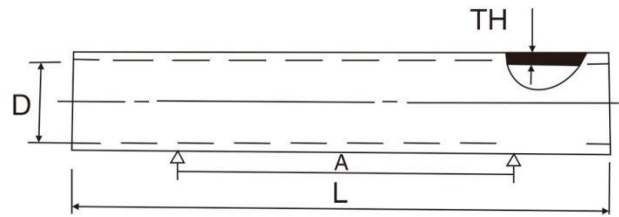
连续管生产 Continuous pipe production

平端对接管

flat end pipe with butt joint



对接 butt joint



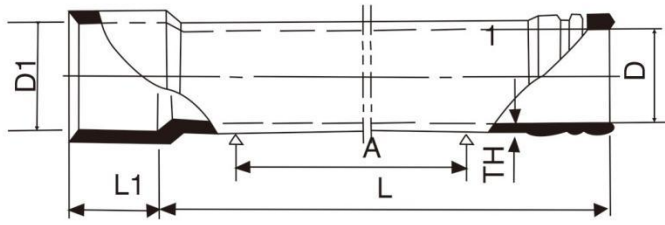
平端对接管 flat end pipe with butt joint

平端对接管尺寸表 specification

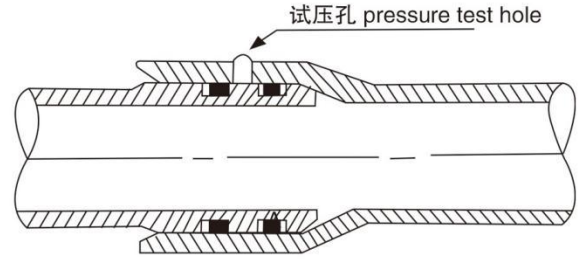
D	L	A	TH		
			P=0.6MPA	P=1.0MPA	P=1.6MPA
10	1800	1500	4.6	4.6	4.6
15	1800	1500	4.6	4.6	4.6
20	1800	1500	4.6	4.6	4.6
25	1800	1500	4.6	4.6	4.6
32	1800	1500	4.6	4.6	4.6
40	1800	1500	4.6	4.6	4.6
50	6000	3000	4.6	4.6	4.6
65	6000	3000	4.6	4.6	4.6
80	6000	3000	4.6	4.6	4.6
100	6000	3000	4.6	4.6	5.9
125	6000	3000	4.6	4.6	5.9
150	6000	3000	4.6	5.9	5.9
200	6000	3000	5.9	5.9	7.2
250	12000	4000	5.9	5.9	8.5
300	12000	4000	5.9	7.2	9.8
350	12000	4000	5.9	8.5	11.1
400	12000	4000	5.9	8.5	12.4
450	12000	4000	7.2	9.8	13.7
500	12000	4000	7.2	9.8	13.7
600	12000	6000	8.5	12.4	15.0
700	12000	6000	9.8	13.7	22.2
800	12000	6000	9.8	15.0	22.8
900	12000	6000	11.1	16.3	25.4
1000	12000	6000	12.4	17.3	28.0
1200	12000	6000	13.7		
1400	12000	6000	16.3		
1500	12000	6000	16.3		
1600	12000	6000	17.6		
1800	12000	6000	18.9		
2100	12000	6000	22.8		
2400	12000	6000	25.4		
2600	12000	6000	26.7		
3000	12000	6000	30.6		
3300	12000	6000	33.2		
3600	12000	6000	35.8		
4000	12000	6000	39.7		
12000	12000	6000			

承插连接管

spigot and socket joint pipe



承插连接
spigot and socket joint



双密封圈承插连接
spigot and socket joint with double sealing rings

承插连接管道尺寸表 specification

D	L	L1	D1	A	TH		
					P=0.6MPA	P=1.0MPA	P=1.6MPA
10	1800			1500	4.6	4.6	4.6
15	1800			1500	4.6	4.6	4.6
20	1800			1500	4.6	4.6	4.6
25	1800			1500	4.6	4.6	4.6
32	1800			1500	4.6	4.6	4.8
40	1800			1500	4.6	4.6	4.6
50	6000	154	71.5	3000	4.6	4.6	4.6
65	6000	154	86.5	3000	4.6	4.6	4.6
80	6000	154	101.5	3000	4.6	4.6	4.6
100	6000	154	122	3000	4.6	4.6	5.9
125	6000	167	154	3000	4.6	4.6	5.9
150	6000	167	179	3000	4.6	5.9	5.9
200	6000	193	189	3000	5.9	5.9	7.2
250	12000	195	289	4000	5.9	5.9	8.5
300	12000	211	347	4000	5.9	7.2	9.8
350	12000	211	397	4000	5.9	8.5	11.1
400	12000	211	447	4000	5.9	8.5	12.4
450	12000	232	502	4000	7.2	9.8	13.7
500	12000	232	552	4000	7.2	9.8	13.7
600	12000	232	652	6000	8.5	12.4	15.0
700	12000	232	852	6000	9.8	13.7	22.2
800	12000	232	966	6000	9.8	15.0	22.8
900	12000	232	1066	6000	11.1	16.3	25.4
1000	12000	232	1266	6000	12.4	17.3	28.0
1200	12000	232	1478	6000	13.7		
1400	12000	235	1578	6000	16.3		
1500	12000	238	1691	6000	16.3		
1600	12000	274	1891	6000	17.6		
1800	12000	275	2211	6000	18.9		
2100	12000	275		6000	22.8		
2400	12000	275		6000	25.4		
2600	12000	275		6000	26.7		
3000	12000	275		6000	30.6		
3300	12000	275		6000	33.2		
3600	12000	275		6000	35.8		
4000	12000	275		6000	39.7		

玻璃钢喷淋管道

FRP pipe

产品规格：DN10–DN4000，可根据用户要求设计。

- 1、压力：4.0Mpa以下
- 2、耐温：220℃
- 3、耐磨层厚度大于2.5mm
- 4、颜色：黑色 绿色 淡黄色
- 5、与喷嘴连接方式：法兰 胶接

Product specifications: DN10–DN4000, can be designed according to user requirements.

- 1, pressure: 4.0Mpa
- 2, resistance temperature: 220
- 3, the wear layer thickness is greater than 2.5mm
- 4, color: black green light yellow
- 5, and the nozzle connection: flange adhesive



玻璃钢烟囱 Glass steel chimney



玻璃钢烟道 Glass steel flue

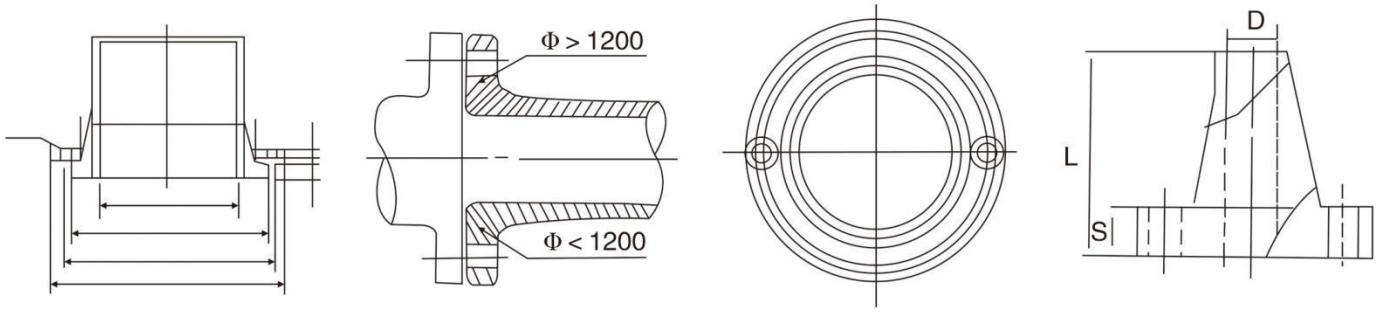
玻璃钢法兰

FRP flange

河北紫浩复合材料科技有限公司

HEBEI ZIHAO FRP CO., LTD

专 / 业 / 制 / 造 品 / 质 / 超 / 群



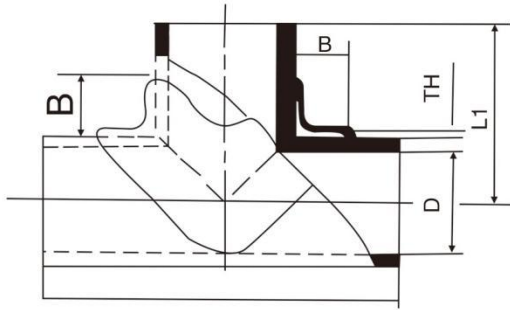
活套法兰 lap joint flange

法兰尺寸表 specification

D	P=0.6MPa		P=1.0MPa		P=1.6MPa	
	S	L	S	L	S	L
10	12	100	15	100	15	100
15	12	100	15	100	15	100
20	12	100	15	100	18	100
25	12	100	15	100	18	100
32	15	100	18	100	20	100
40	15	100	18	100	22	100
50	15	100	20	100	22	150
65	15	100	20	150	25	160
80	18	150	22	160	28	230
100	20	150	25	180	30	250
125	22	200	25	230	33	300
150	22	200	28	280	38	370
200	25	220	33	260	48	500
250	28	280	42	420	55	620
300	32	300	48	500		
350	35	400	54	570		
400	40	420				
450	45	480				
500	50	540				
600	52	640				
700						

玻璃钢三通

FRP Tee



三通尺寸表 specification

D	P=0.6MPa			P=1.0MPa			P=1.0MPa		
	TH	L=2L1	B	TH	L=2L1	B	TH	L=2L1	B
10	5.5	300	50	5.5	300	50	5.5	300	50
15	5.5	300	50	5.5	300	50	5.5	300	50
20	5.5	300	50	5.5	300	50	5.5	300	50
25	5.5	300	50	5.5	300	50	5.5	300	50
32	5.5	300	50	5.5	300	50	5.5	300	50
40	5.5	300	50	5.5	300	50	5.5	300	50
50	5.5	400	50	5.5	400	50	5.5	400	50
65	5.5	400	50	5.5	400	50	5.5	400	50
80	5.5	400	50	5.5	400	60	5.5	460	60
100	5.5	400	50	5.5	420	80	9.4	580	80
125	5.5	400	50	5.5	540	100	9.4	720	100
150	5.5	460	60	9.4	640	120	10.9	840	120
200	7.1	600	80	9.8	820	120	12.9	1100	150
250	9.4	740	100	10.4	960	150	15.2	1420	210
300	9.4	840	100	13.3	1180	150	17.3	1680	240
350	9.4	1000	120	15.8	1380	180	19.6	1940	270
400	10.6	1100	120	16.8	1580	210	23.8	2200	300
450	13.0	1260	150	18.3	1720	210	26.2	2500	360
500	13.7	1380	150	18.9	1940	250	26.2	2800	400
600	16.2	1640	180	22.7	2320	300	27.6	3280	450
700	18.6	1900	210	24.5	2660	330	37.2	3880	550
800	18.6	2180	240	28.3	3100	400	43.8	4360	600
900	20.0	2440	270	30.0	3400	420	48.3	5000	700
1000	22.9	2720	300	33.2	3860	500	52.6	5460	750
7000	35.8	根据工况条件设计生产 design and fabrication according to the working conditions							

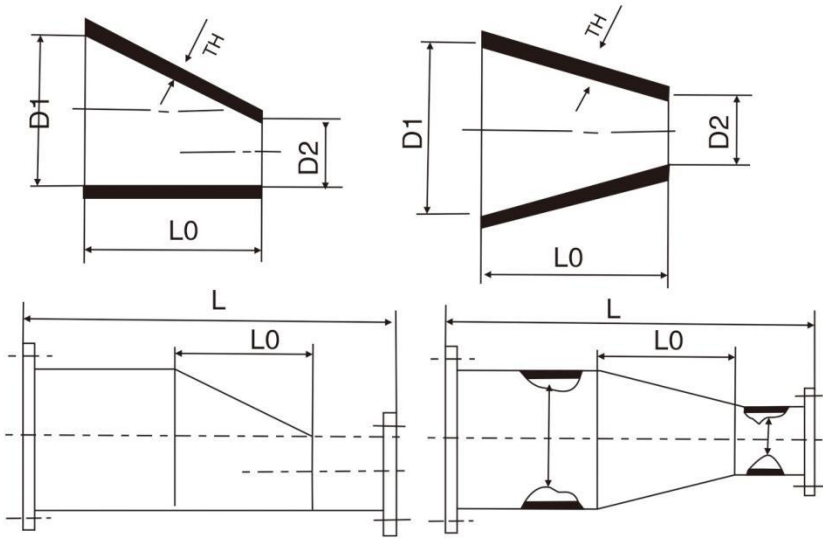
玻璃钢变径管

FRP Reducer

河北紫浩复合材料科技有限公司

HEBEI ZIHAO FRP CO., LTD

专 / 业 / 制 / 造 品 / 质 / 超 / 群



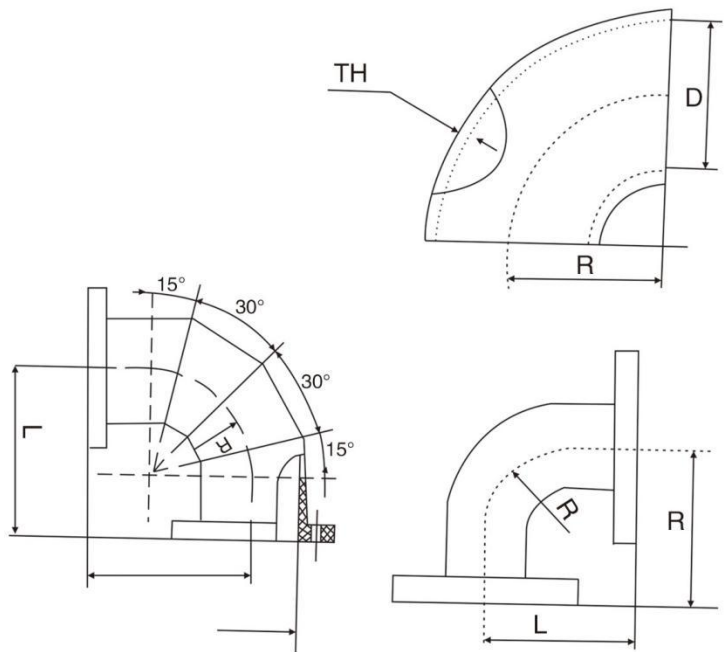
变径管尺寸表 specification

D1	D2	L0	P=1.0MPa		P=0.6MPa		P=1.6MPa	
			TH	L	TH	L	TH	L
15	10	37.5	5.5	237.5	5.5	237.5	5.5	237.5
20	15	37.5	5.5	237.5	5.5	237.5	5.5	237.5
25	20	37.5	5.5	237.5	5.5	237.5	5.5	237.5
32	25	37.5	5.5	237.5	5.5	237.5	5.5	237.5
40	32	37.5	5.5	237.5	5.5	237.5	5.5	237.5
50	40	37.5	5.5	237.5	5.5	237.5	5.5	237.5
65	50	37.5	5.5	287.5	5.5	237.5	5.5	347.5
80	65	37.5	5.5	347.5	5.5	287.5	5.5	397.5
100	80	50.0	5.5	390	5.5	350	9.4	500
125	100	62.5	5.5	472.5	5.5	412.5	9.4	612.5
150	125	62.5	9.4	572.5	5.5	462.5	10.9	732.5
200	100	250	9.8	790	7.1	620	12.9	1000
200	150	125	9.8	765	7.1	545	12.9	1000
250	200	250	10.4	905	9.4	625	15.2	1245
300	200	125	13.3	1110	9.4	770	17.3	
300	250	125	13.3	1045	9.4	705	17.3	
350	300	250	15.8	1195	9.8	825	19.6	
400	300	125	16.8		10.6	970	23.8	
400	350	125	16.8		10.6	945	23.8	
450	400	250	18.3		13.0	1025	26.2	
500	400	125	18.9		13.7	1210	26.2	
500	450	250	18.9		13.7	1145	26.2	
600	500	250	22.7		16.2	1430	27.6	
700	600	250	24.5		18.6		37.2	
800	700	250	28.3		18.6		43.8	
900	800	250	30.0		20.0		48.3	
1000	900	250	33.2		22.9		52.6	
7000	5000	5000						

变径管标准L0=2.5(D1-D2)，根据需要可任意选取。

玻璃钢弯头

FRP elbow



弯头尺寸表 specification

D	R	P=1.0MPa		P=0.6MPa		1.6MPa	
		TH	L	TH	L	TH	L
10	15	5.5	115	5.5	115	5.5	115
15	22.5	5.5	122.5	5.5	122.5	5.5	122.5
20	30	5.5	130	5.5	130	5.5	130
25	37.5	5.5	137.5	5.5	137.5	5.5	137.5
32	48	5.5	148	5.5	148	5.5	148
40	60	5.5	160	5.5	160	5.5	160
50	75	5.5	175	5.5	175	5.5	225
65	97.5	5.5	197.5	5.5	247.5	5.5	257.5
80	120	5.5	270	5.5	280	5.5	320
100	150	5.5	300	5.5	330	9.4	400
125	187.5	5.5	387.5	5.5	417.5	9.4	487.5
150	225	5.5	425	9.4	505	10.9	595
200	300	7.1	520	9.8	660	12.9	800
250	375	9.4	655	10.4	798	15.2	995
300	450	9.4	750	13.3	950	17.3	
350	525	9.8	925	15.8	1095	19.6	
400	600	10.6	1020	16.8		23.8	
400	675	13.0	1155	18.3		26.2	
450	500	13.7	1290	18.9		26.2	
500	600	16.2	1540	22.7		27.6	
600	700	18.6		24.5		37.2	
700	800	18.6		28.3		43.8	
800	900	20.0		30.2		48.3	
900	1000	22.9		33.2		52.6	
5000	5000						

注：弯头R=1.5D、R=2D的圆弧弯头及任意拼装的弯头。

note: one-piece elbow and assembling elbow can be made with R=1.5D or R=2D

玻璃钢电缆桥架

FRP cable tray

河北紫浩复合材料科技有限公司

HEBEI ZIHAO FRP CO., LTD

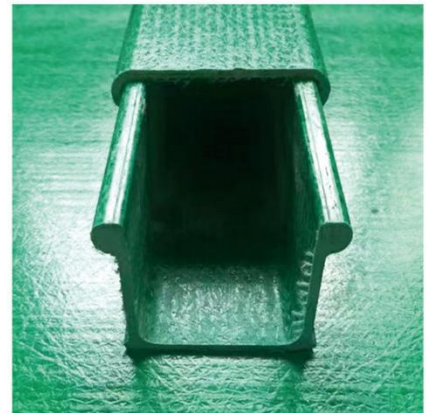
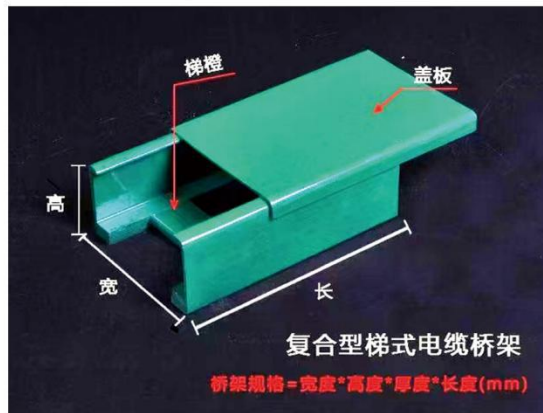
专 / 业 / 制 / 造 品 / 质 / 超 / 群

电缆桥架使电线、电缆、管缆放设达到标准化、系列化、通用化水平的必要工程结构，它具有高阻燃、重防腐、机械强度高特定性能的SMC聚脂模压原料，通过机械化模压和拉挤一次成型的玻璃钢电缆桥架。它比钢制汇线桥架的任何一种表面处理，都具有耐腐蚀、绝缘性能高，使用寿命长的优点，它结构紧凑、组装灵活、表面光滑、颜色鲜艳多样、实为一代新型产品。主要技术性能：普通型性能指标：名称 弯曲强度(Mpa) 冲击强度(Kg/M2) 比重(KG/M3) 耐25%H2SO4(g/m2) 耐25%HCL(g/m2) 耐5%NaOH(g/m2) 自然老化年数，指标 180 90 1.8-2.0 ±2 ±2 自 ±2.5 自 ≥20年。

cable tray made of wire, cable, pipeline and cable set to achieve standardization, serialization, general level of engineering structure. It has high flame retardant, heavy duty, mechanical strength higher specific performance of SMC polyester moulding materials, through mechanized molding and pultrusion molding glass steel cable tray. It compared with the steel sinks line bridge of any kind of surface treatment, are resistant to corrosion, high insulation performance, the use of the advantages of long service life, it has the advantages of compact structure, flexible assembly, smooth surface, variety of colors, actually a generation of new products. Main technical performance: ordinary type performance index: name bending strength (Mpa) impact strength (Kg/M2) (KG/M3) 25%H2SO4 (g/m2) 25%HCL (g/m2) () 5%NaOH (g/m2) natural aging years, Index of 18090 1.8-2.0 + 2 + 2 + 2.5 since more than 20 years since

阻燃型性能指标> 名称 氧指数 水平燃烧试验等级 着火危实验等级 弯曲负载变形温度，指标 自 ≥34.OI I级 (Class) V-0级(Class) 自 ≥200℃，电气型性能指标 名称 氧指数 表面电阻率 工频击穿强力 体积电阻率指标 CTI ≥600 ≥1 * 1012 Ω ≥70KV ≥1 * 1013 ΩCM 高强型性能指标：名称 弯曲强度(Mpa) 冲击强度 (KJ/M2) 比重((Kg/m3) 纤维含量(%)指标 自 ≥300 自 ≥200 1.9-2.2 30-35。

The oxygen index level of flame retardant performance index of combustion test fire danger grade name > experimental grade bending deformation temperature, since the index is greater than or equal to 34.OI I (Class) V-0 (Class) from more than 200 DEG C, the electrical performance index name of the oxygen index of the surface resistivity of the breakdown strength of volume resistivity index CTI = 600 = 1 * 1012 = Omega 70KV = 1 * 1013 CM high strength performance index (Mpa): the name of the bending strength impact strength (KJ/M2) (Kg/m3) (the proportion of fiber content (%) index since more than 300 from more than 200 1.9-2.2 30-35.

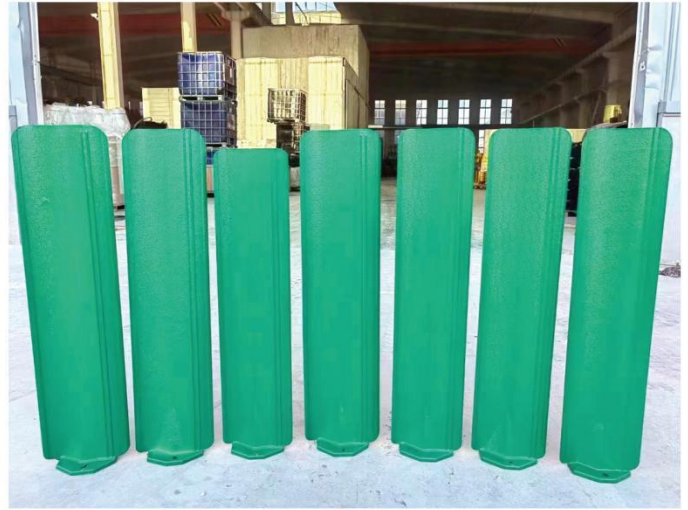


玻璃钢拉挤型材

FRP pull extrusion profile



挡风墙 wind-break wall



防眩板 antiglare shield



路桩指示牌 Road pile indicator



爬梯围栏 Climbing ladder



填料支架 Filler bracket



拉挤产品示意图 Drawing of the extrusion product

玻璃钢格栅

FRP a grille

河北紫浩复合材料科技有限公司

HEBEI ZIHAO FRP CO., LTD

专 / 业 / 制 / 造 品 / 质 / 超 / 群

月牙面、砂面、双平面、平板格栅等格栅性能特点

1、耐腐蚀：具有非常优越的耐酸、耐碱、耐有机溶剂及盐类等诸多气、液介质的腐蚀性能，在防腐领域具有无法比拟的优越性。根据实际使用场合要求，可经济地选择使用邻苯型、间苯型、乙烯基型树脂做基体材料。

1, has excellent corrosion resistance, acid and alkali resistance, corrosion resistance to organic solvents and salts, and other gas or liquid media, has the incomparable superiority in the field of corrosion. According to the actual situation, it can choose to use the type of benzene, benzene and vinyl resin as matrix material.

2、轻质高强：玻璃钢格栅的密度不大于2，仅为钢材的1/4，铝材的2/3。其强度为硬质聚氯乙烯的10倍，绝对强度超过铝材和普通钢的水平。

2, light weight: glass fiber reinforced plastic grid density is not more than 2, only for the steel 1/4, aluminum 2/3. Its strength is 10 times that of rigid polyvinyl chloride, and the absolute strength exceeds the level of aluminium and ordinary steel.

3、阻燃：普通阻燃型格栅火焰传播速率（ASTM E-84）不超过25；高级阻燃乙烯基格栅的火焰传播速率不超过10。氧指数不小于28（GB 8924）。

3, flame retardant: ordinary flame retardant type grille flame propagation rate (E-84 ASTM) no more than 25; high flame retardant vinyl grille flame spread rate of no more than 10. Oxygen index of not less than 28 (GB 8924).

4、耐老化：使用寿命在50年以上。5、安全性：具有优良的电绝缘性，10KV电压下无击穿；无电磁性，可用在对磁性敏感的设备上；玻璃钢格栅特殊的结构还具有防滑、抗疲劳等特性。

4, resistance to aging: the use of life in more than 50 years. 5, safety: with excellent electrical insulation, 10KV voltage without breakdown; no electromagnetic, can be used on the magnetic sensitive equipment; glass steel grille special structure also has the characteristics of non slip, anti fatigue, etc.



玻璃钢格栅 Glass steel grille



镀锌钢格栅 Galvanized steel grating



园林绿化格栅 Garden Green Grid



污水厂玻璃纤维格栅
Fiberglass grating for sewage treatment plant



格栅围墙
Grille fence

复合材料FRP-PVC、PP、PVDF

Composite materials FRP-PVC, PP, PVDF



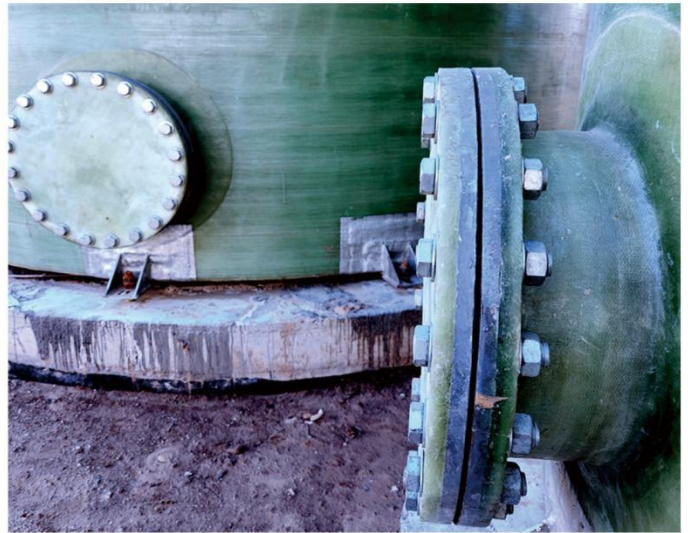
PP-FRP 生产车间 PP-FRP production workshop



PTFE-FRP罐 PTFE-FRP jar



PP-FRP成品罐 PP-FRP finished tank



PVC-FRP罐 PVC-FRP jar



PVDF-FRP罐 PVDF-FRP tank



PVC-FRP管件 PVC-FRP pipe fitting

玻璃钢风机

FRP fan

河北紫浩复合材料科技有限公司

HEBEI ZIHAO FRP CO., LTD
专 / 业 / 制 / 造 品 / 质 / 超 / 群

玻璃钢风机是指玻璃钢（FRP）材质的风机，其外观、尺寸与钢质风机完全相同，外壳与叶轮均为玻璃钢材质，具有造型美观、结构紧凑、强度高、重量轻、耐腐蚀、抗老化、省电、噪声低、运转可靠、经济实用、安装维修方便等特点，属于防腐风机的一种。

Glass steel air machine is made of glass steel (FRP), its appearance, size and steel fan is the same, the shell and the impeller is made of glass steel, which has the characteristics of beautiful appearance, compact structure, high strength, light weight, corrosion resistance, aging, power saving, low noise, reliable operation, easy installation and maintenance.



高压风机 High pressure fan



离心风机 Centrifugal fan



屋顶风机 roof ventilator



轴流风机 axial flow fan

玻璃钢冷却塔

FRP cooling tower



玻璃钢冷却塔
Fiberglass Square Cooling Tower

玻璃钢地面防腐

FRP Ground corrosion



玻璃钢自流平地面
Glass steel self leveling floor



玻璃钢圆形冷却塔
Fiberglass circular cooling tower



车间地面防腐玻璃钢
Shop floor anticorrosive FRP



镀镁铝锌闭式冷却塔
Magnesium aluminum zinc coated closed cooling tower



碳钢防腐玻璃钢
Carbon steel

玻璃钢环保设备

Glass steel environmental protection equipment

河北紫浩复合材料科技有限公司

HEBEI ZIHAO FRP CO., LTD
专 / 业 / 制 / 造 品 / 质 / 超 / 群



化粪池 septic tank



湿式静电除尘器 Wet electrostatic precipitator



沉淀槽 cachacera



污水池防腐现场 Sewage tank corrosion field



污水池盖板 Sewage tank cover



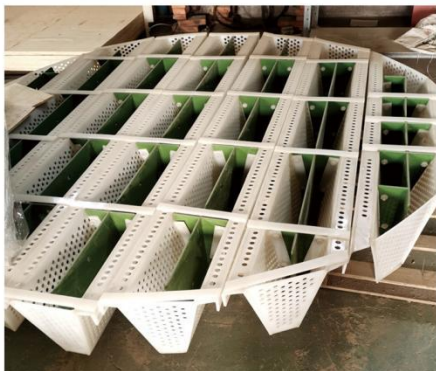
锥底方槽 Cone bottom groove

泡罩塔

Bubble Cap Tower

泡罩塔又称泡帽塔或泡盖塔，主要由升气管及泡罩构成，泡罩安装在升气管顶部，分圆形和条形两种，以前者使用较广，泡罩有 $\Phi 80$ 、 $\Phi 100$ 、 $\Phi 150\text{mm}$ 三种规格，可根据塔径大小选择，泡罩的下部周边开有许多齿缝，齿缝一般为三角形、矩形、或梯形。泡罩在塔板上为三角形排列，操作时液体横向流过塔板，靠溢流堰保持板上有一定厚度的液层，齿缝浸没于液层之中形成液封。升气管的顶部应大于泡罩齿缝上沿，以防止液体从中漏下，上升气体通过齿缝进入液层时，被分散成许多细小气泡或股流，在塔板上形成鼓泡层，为气液两相传热和传质提供大量界面。

Bubble cap tower, also known as bubble cap tower or bubble cap tower, is mainly composed of riser and bubble cap. The bubble cap is installed on the top of riser, which is divided into two types: round and strip. The former is widely used, and the bubble cap is $\Phi 80$ 、 $\Phi 100$ 、 $\Phi 150\text{mm}$. There are three specifications of 150mm, which can be selected according to the size of the tower diameter. There are many tooth gaps around the lower part of the blister. The tooth gaps are generally triangular, rectangular, or trapezoidal. The bubble caps are arranged in triangle on the tray. During operation, the liquid flows through the tray transversely, and there is a certain thickness of liquid layer on the tray maintained by the overflow weir. The teeth are immersed in the liquid layer to form a liquid seal. The top of the riser should be larger than the upper edge of the blister tooth gap to prevent the liquid from leaking from it. When the rising gas enters the liquid layer through the tooth gap, it will be dispersed into many small bubbles or streams, forming a bubble layer on the tray, providing a large number of interfaces for gas-liquid two-phase heat and mass transfer.



聚四氟驼峰支撑

PTFE hump



聚四氟除雾器

PTFE Mist eliminator

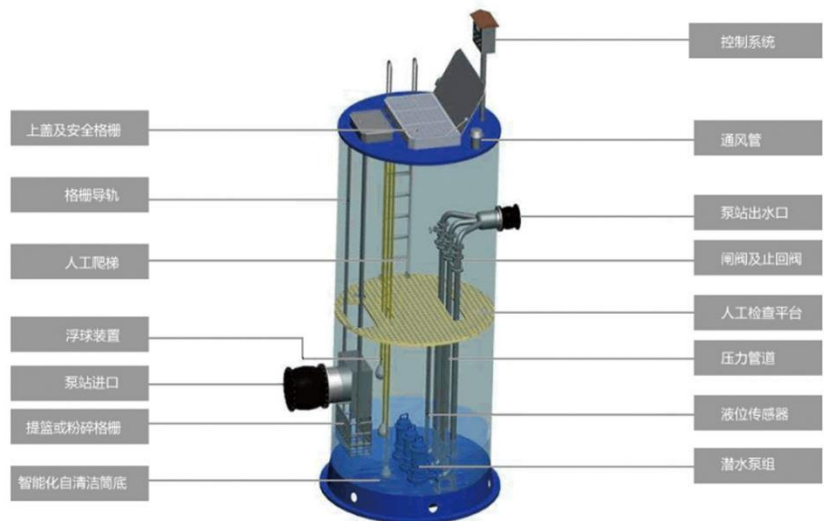


一体化提升泵站内部水泵和入口格栅均配有提升导轨，提升泵站检修时可以快速的提升、拆除和安装。提升泵站筒体为玻璃钢。一体化泵站是提升雨水、污水、饮用水、废水的提升设备，一体化泵站自动控制：自动浮动开关，无需工操作，自动及手动双路控制，除后顾之忧。

The internal pump and inlet grating of the integrated lifting pump station are equipped with lifting guide rails, which can be quickly lifted, removed and installed during the maintenance of the lifting pump station. The cylinder of lifting pump station is made of glass fiber reinforced plastics. The integrated pump station is the lifting equipment for lifting rainwater, sewage, drinking water and wastewater. The automatic control of the integrated pump station: automatic floating switch, no need for manual operation, automatic and manual two-way control.



一体式玻璃钢泵站
Integrated fiberglass pump station



混床罐 mixed bed tank



软水罐 soft water tank



超纯水罐 Pure water tank



食品酿造发酵罐 Food brewing tank



SF双层油罐 SF double-layer tank



消防罐 Fire tank



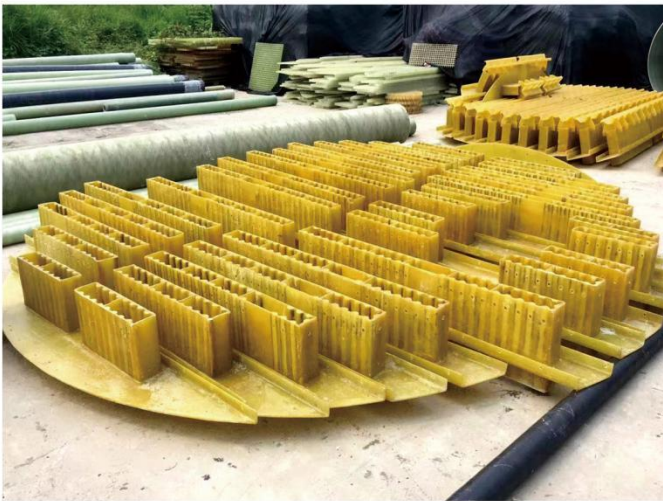
方形贮槽 Square storage tank



饮用水箱 Drinking water tank



大型卧罐 Large horizontal tank



布水器 Water distributor



异形管件 Special-shaped pipe fittings



饮用水水箱 Drinking water tank



一体化除臭净化器 Deodorizer

工程案例

Project case



京东方施工现场



三星电子施工现场



石药集团施工现场



新加坡胜科水务（中国）潞安煤化工施工现场



福建紫金矿施工现场



珠江桥食品酿造厂施工现场



内蒙三联化工施工现场



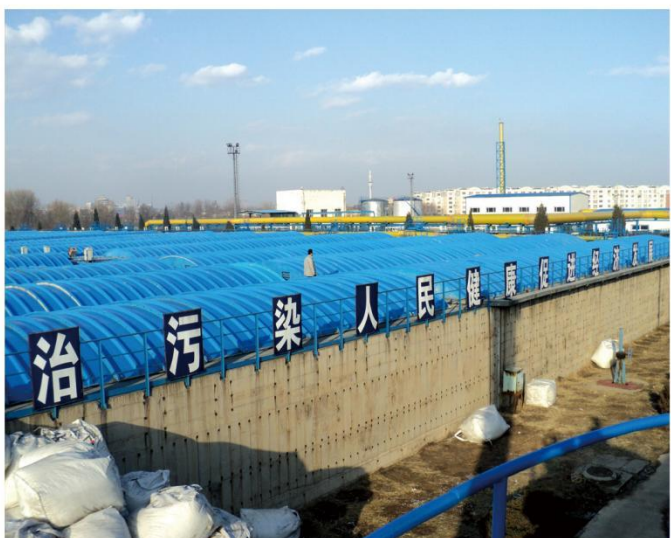
北京中芯电子施工现场



天津电厂施工现场



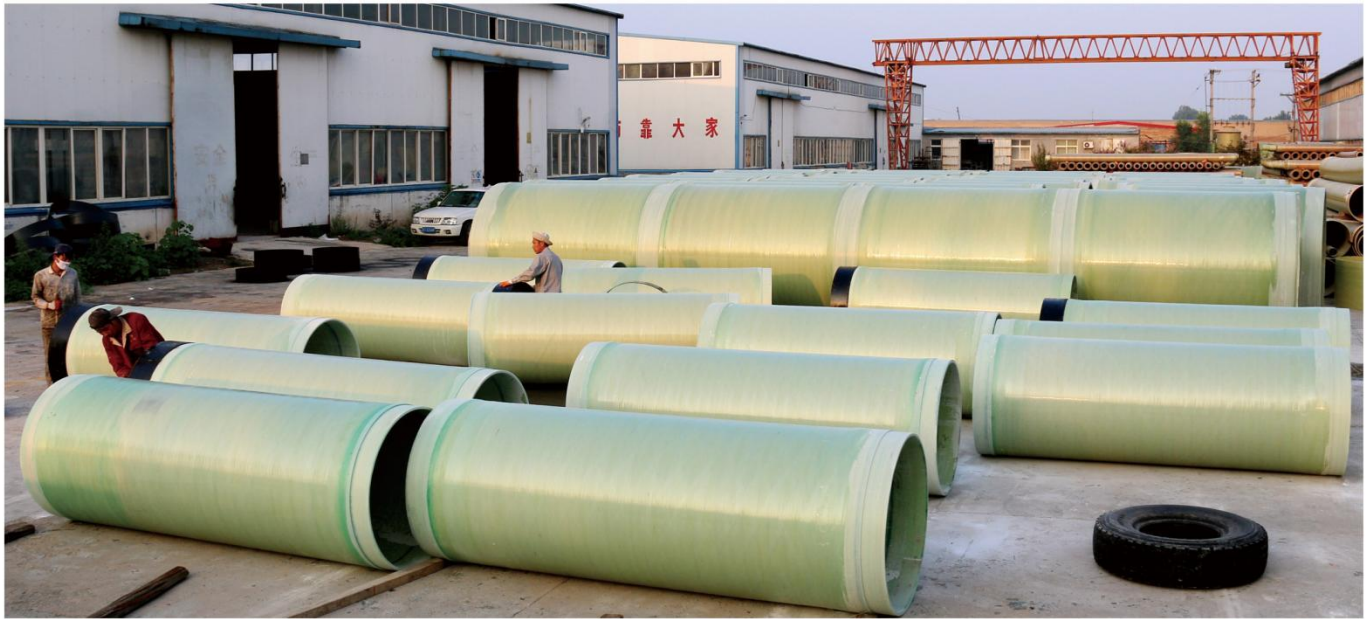
广东肇庆星湖股份施工现场



青岛海湾化学施工现场



河北养元六个核桃施工现场



玻璃钢顶管管道 Fiberglass top pipe



玻璃钢顶管 FRP pipe jacking



玻璃钢顶管安装 Installation of fiberglass top pipe



玻璃钢雕塑工艺品 FRP Sculpture Crafts



哪吒雕塑 Nezha sculpture



离子液脱硫制酸项目Ionic liquid desulfurization for acid production



检测设备

detection device

河北紫浩复合材料科技有限公司

HEBEI ZIHAO FRP CO., LTD
专 / 业 / 制 / 造 品 / 质 / 超 / 群



玻璃钢原料实验室 Laboratory of FRP materials



巴士硬度检测 Bus hardness test



压力检测 Pressure detection



产品厚度检测 Product thickness detection



环向钢度检测 Ring to steel



试水 water testing



河北紫浩复合材料科技公司

售后服务部电话：0318—8624656

国际贸易部电话：0318—8634656

网址：www.hebeifrp.cn

邮箱：frphb@126.com

地址：河北省衡水市冀州区春风大街101号

After-sale service tel: +86-318-8624656

International trade tel: +86-318-8634656

<http://www.hebeifrp.cn>

E-mail: frphb@126.com

ADD: 101 Chunfeng Street, Jizhou District, Hengshui City, Hebei Province